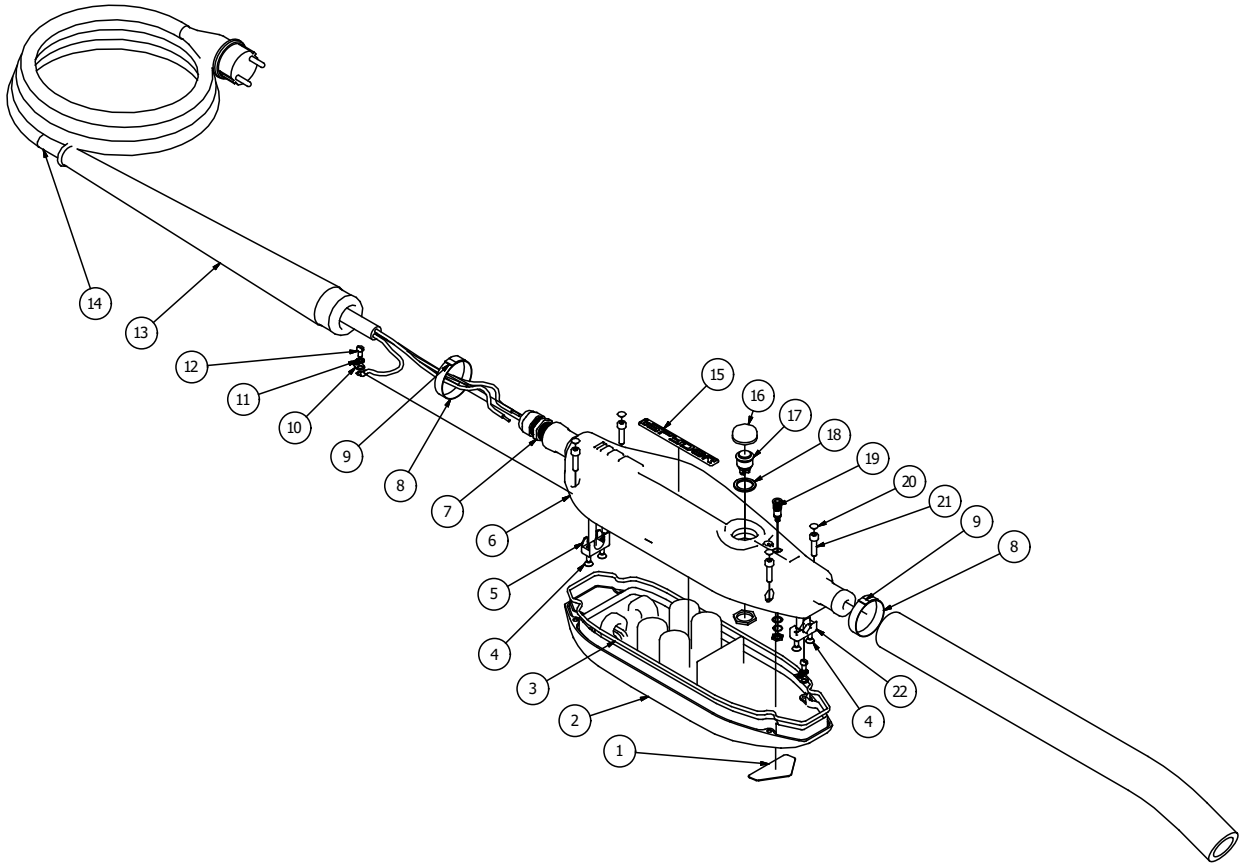




World Leader  
in Concrete Vibrators

## Review 0

### ELECTRONIC CONVERTER I-SPYDER 220V



	<b>ARTICLE</b>	<b>DESCRIPTION</b>	<b>QUANTITY</b>	<b>PRICE</b>
1	<b>107117</b>	SECURITY STICKER	1.0000	2.32
2	<b>80536</b>	BOX + PLATE UNIT NEW 2V B/P	1.0000	450.00
3	<b>88002</b>	BASE O-RING	1.0000	3.23
4	<b>102511</b>	BOLT CURVED M 4×16 DIN 9654.8	4.0000	0.58
5	<b>81675UL</b>	PRENSACABLES	1.0000	0.58
6	<b>88101</b>	COVER BOTTON	1.0000	26.11
7	<b>103729</b>	PACKING GLAND without NUT PG16	1.0000	4.30
8	<b>107080</b>	STAINLESS STRAP C.203 9,6×0,65 30,5m	2.0000	65.22
9	<b>107081</b>	BUCKLE BAND-IT C253 (3/8)	2.0000	2.32
10	<b>107236</b>	EARTH PLATE	2.0000	0.60
11	<b>102103</b>	STAR WASHER 4,3 A DIN 6798	2.0000	0.60
12	<b>102909</b>	BOLT M 4×10 DIN 7985	2.0000	0.56
13	<b>81207</b>	REINFORCEMENT CABLE	1.0000	16.30
14	<b>80504</b>	CONNECTION CABLE SET	1.0000	58.92
15	<b>107554</b>	STICKER i-SPYDER 103x11,5mm.	1.0000	3.49
16	<b>80503</b>	SWITCH PROTECTOR	1.0000	3.50
17	<b>103940</b>	PUSH-BUTTON AV0630C940	1.0000	30.11
18	<b>80606</b>	PUSH BUTTON WASHER	1.0000	0.60
19	<b>128041</b>	LED Q8F7GZZRYG02E	1.0000	9.70
20	<b>96006</b>	BOLT CAP	4.0000	0.60
21	<b>102306</b>	ALLEN BOLT M 5×20 DIN 912 8.8	4.0000	0.60
22	<b>80607</b>	CABLES CLAMP	1.0000	0.60